

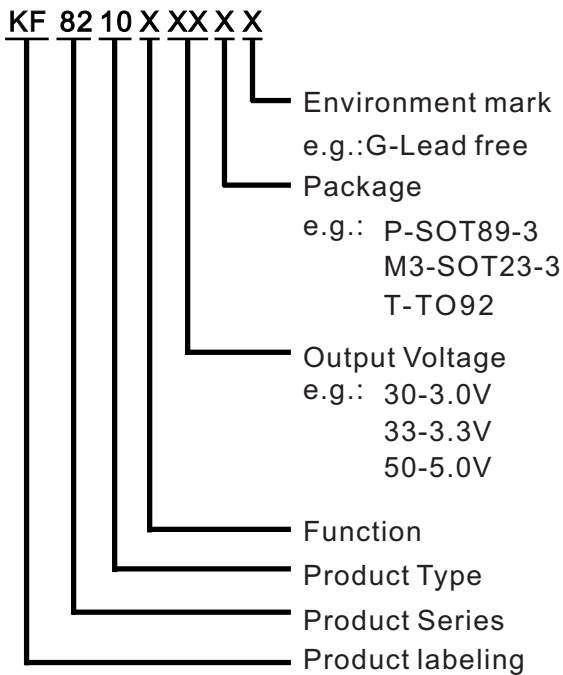


## 500mA Low Quiescent Low Dropout Linear Regulator LDO

### General Description

KF8210 series are low quiescent, low-dropout linear voltage regulators. KF8210 series are based on the CMOS process and allow high voltage input. They allow operation voltage as high as 18V. KF8210 series have short circuit protection function.

### Selection Guide



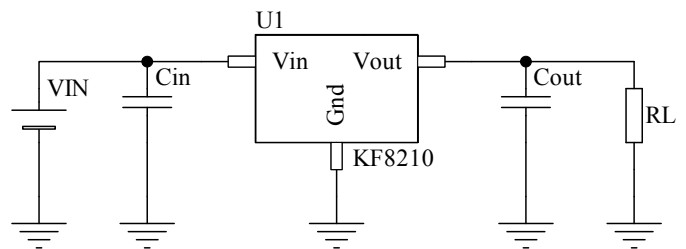
### Features

- High output accuracy:  $\pm 2\%$
- Input voltage: 2V to 18V
- Output voltage: 1.5V ~ 5.0V
- Ultra-low quiescent current (Typ. = 1.5  $\mu$ A)
- Output Current:  $I_{out} = 500\text{mA}$   
(When  $V_{in} = 4\text{V}$  and  $V_{out} = 3\text{V}$ )
- Low dropout voltage: 11mV @  $I_{out} = 10\text{mA}$  (Typ.  $V_{out} = 3.0\text{V}$ )
- Input good stability: Typ. 0.03% / V
- Short-circuit Current: Typ. 50mA
- Ceramic capacitor can be used
- Package: SOT89-3, SOT23-3, TO-92.

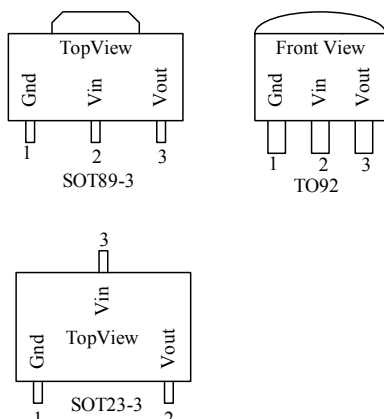
### Typical Application

- Power source for home electric/electronic appliances
- Power source for battery-powered devices
- Power source for personal communication devices

### Typical Application Circuit



### Pin Configuration



### Pin Assignment

#### KF8210AXX

Pin Number		Pin Name	Functions
SOT89-3 / TO92	SOT23-3		
1	1	$V_{SS}$	Ground
2	3	$V_{IN}$	Power Input
3	2	$V_{OUT}$	Output