



40V Boost Converter for LED driver / TFT Bias / USB Power

DESCRIPTION

The KF9917 is a high efficiency step-up converter with an internally integrated 40V power MOSEFT. It runs with an optimal 0.8MHz frequency that enables use of small external components while still providing best efficiencies. It has an internal current limit as high as 1A, and it can drive up to 10 LEDs at 50mA output current. The incorporated 18-100KHz true PWM-Dimming feature by EN pin can be used to digitally program the LED current. For maximum protection, the KF9917 has an internal OVP protection at 38V to prevent the chip from damages when the LED string is not connected to the output.

KF9917 is available in a space-saving SOT-23-6 package.

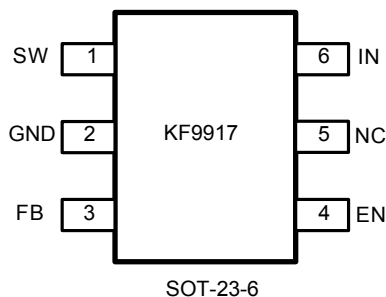
FEATURES

- Up to 91% Efficiency (6 LEDs)
- Drive up to 10 LEDs with 50mA
- Drive up to 40 LEDs in total
- 38V OVP protection
- True PWM Brightness Control
- 200mV Feedback Voltage
- 1A current limit
- SOT-23-6 Package

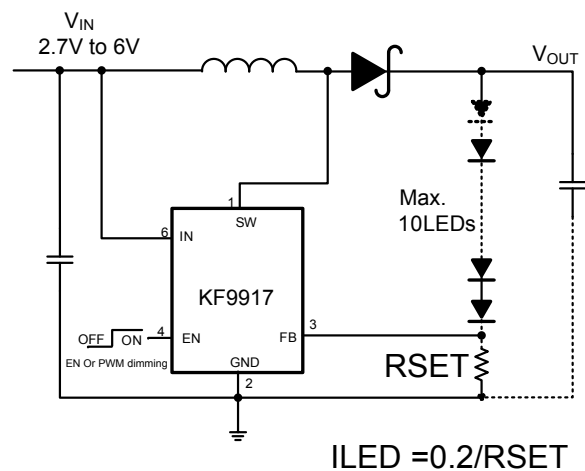
APPLICATIONS

- Cellphone and Smartphone
- MID or Tablet PC
- TFT-bias for LCD screen
- Power for OLED
- LED torch
- Satellite Set Top Box

PIN CONFIGURATION



TYPICAL APPLICATION



Application for LED Backlight Driving